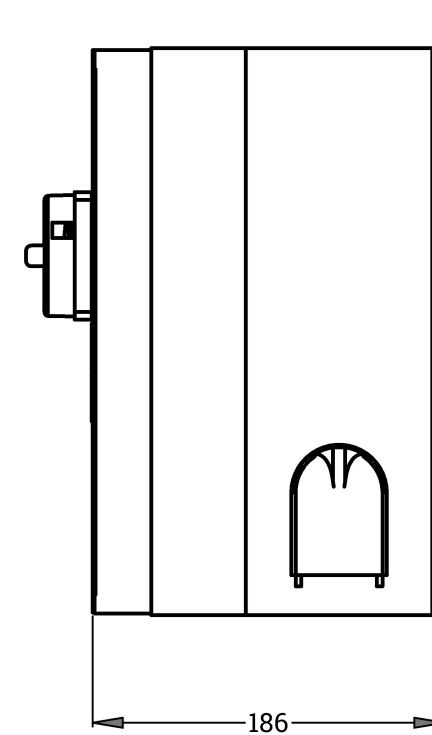
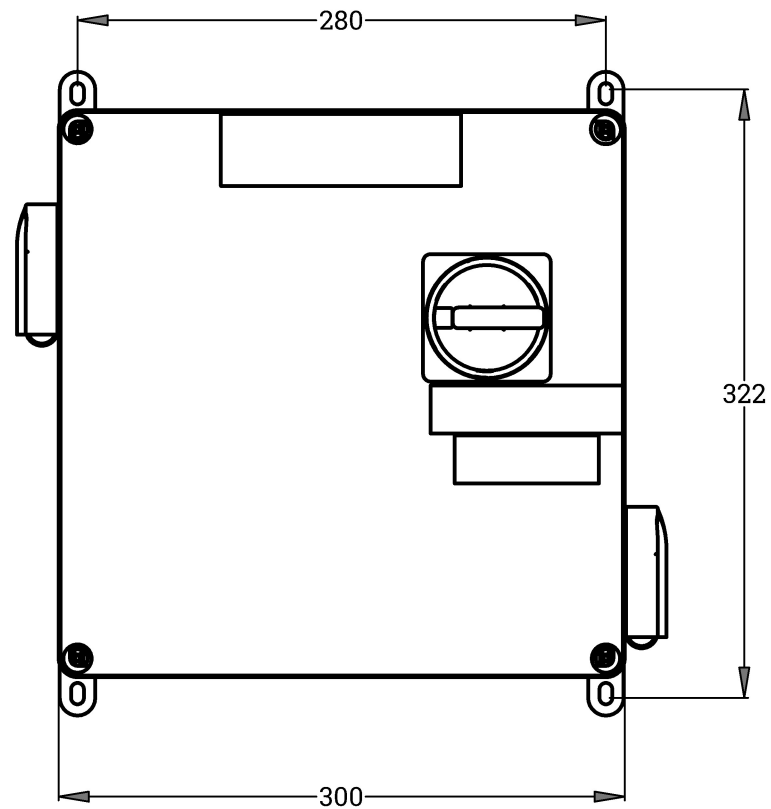
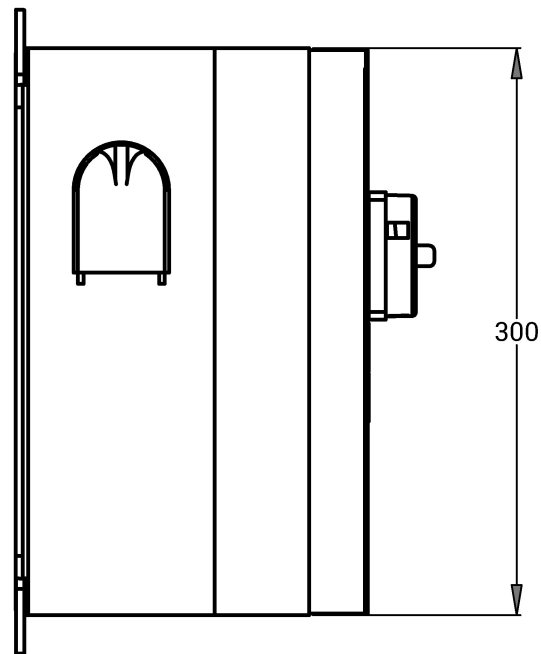
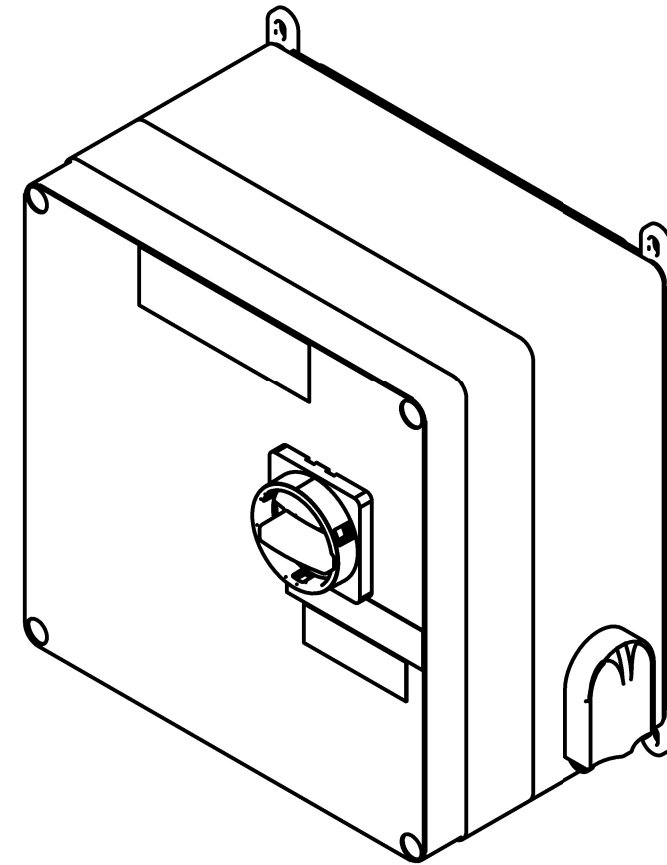
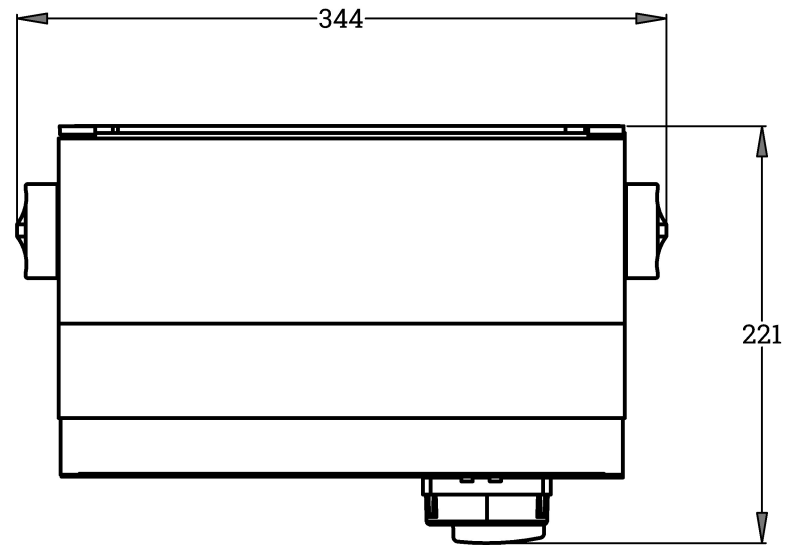




DESIGNED AND ASSEMBLED TO
UL 508A STANDARDS

| DRAWING REFERENCE | |
|------------------------|---|
| PART NUMBER | DESCRIPTION |
| IN-UL-DIS-PS-20-120 | MDR POWER 120V INPUT - 20A OUTPUT - 24VDC |
| IN-UL-DIS-PS-20-120-48 | MDR POWER 120V INPUT - 20A OUTPUT - 48VDC |
| IN-UL-DIS-PS-20-480 | MDR POWER 480V INPUT - 20A OUTPUT - 24VDC |
| IN-UL-DIS-PS-20-480-48 | MDR POWER 480V INPUT - 20A OUTPUT - 48VDC |
| IN-UL-DIS-PS-40-120 | MDR POWER 120V INPUT - 40A OUTPUT - 24VDC |
| IN-UL-DIS-PS-40-480 | MDR POWER 480V INPUT - 40A OUTPUT - 24VDC |

DIMENSIONS ARE SAME FOR ALL PART NUMBERS
UNIT WEIGHT - APPROX. 7 KG (15 LBS)



DRAWING IS TO SCALE IF
PRINTED ON ANSI B SIZE PAPER
ALL DIMENSIONS IN MILLIMETERS

| | | | | | | | | |
|------|------|-------------|---|--|---|---|-------------|--|
| REV. | DATE | DESCRIPTION | ✓ | <p>THE INFORMATION CONTAINED HEREIN IS CONFIDENTIAL, IS SUBMITTED IN CONFIDENCE, AND IS PROPRIETARY INFORMATION OF PULSEROLLER AND SHALL BE USED ONLY IN CONJUNCTION WITH AND PERFORMANCE OF THE CONTRACT OF WHICH THIS DRAWING FORMS A PART, AND SHALL NOT, WITHOUT PULSEROLLER PRIOR WRITTEN APPROVAL, BE REPRODUCED OR IN ANY OTHER WAY USED IN WHOLE OR IN PART BY OTHERS.</p> | <p>DATE: 11-FEB-2025 DESIGNED BY: J.P.K. CHECKED BY: T.R. SCALE: 1:4 SHEET: 1/1</p> | <p>TITLE: ALL MDR POWER MODELS - UL LISTED DIMENSIONS AND WEIGHT FOR: PULSEROLLER ACCESSORIES - MDR POWER PULSEROLLER STANDARDS DWG. NO: IN-UL-DIS-PS-XX-XXX(-XX)</p> | <p>REV:</p> | <p>www.pulseroller.com global_support@pulseroller.com support@pulseroller.com global_sales@pulseroller.com sales@pulseroller.com</p> |
|------|------|-------------|---|--|---|---|-------------|--|