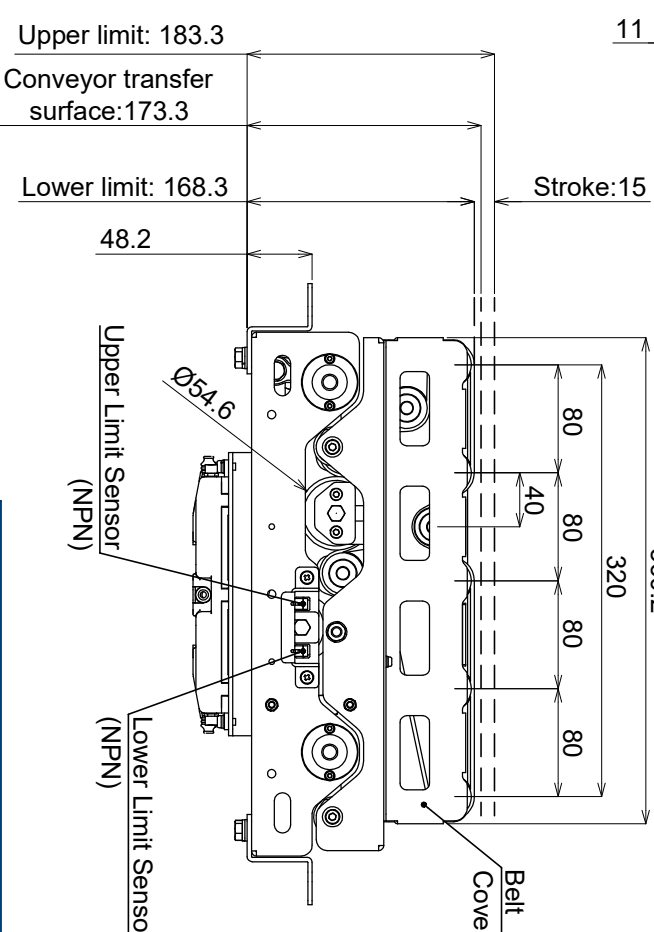
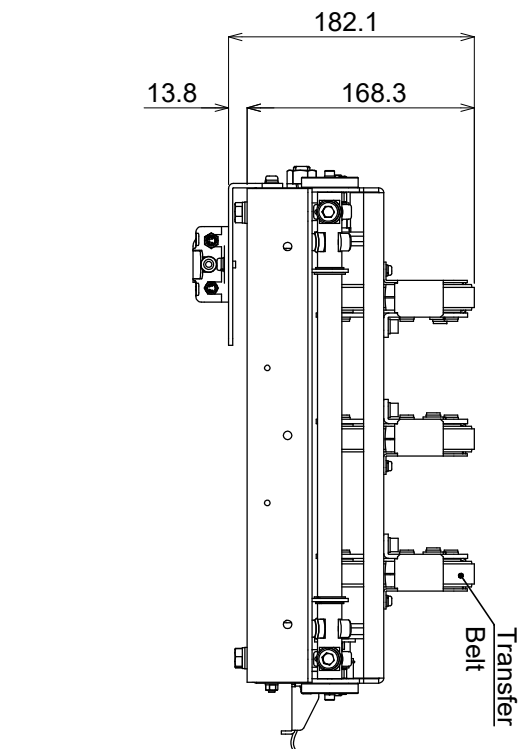
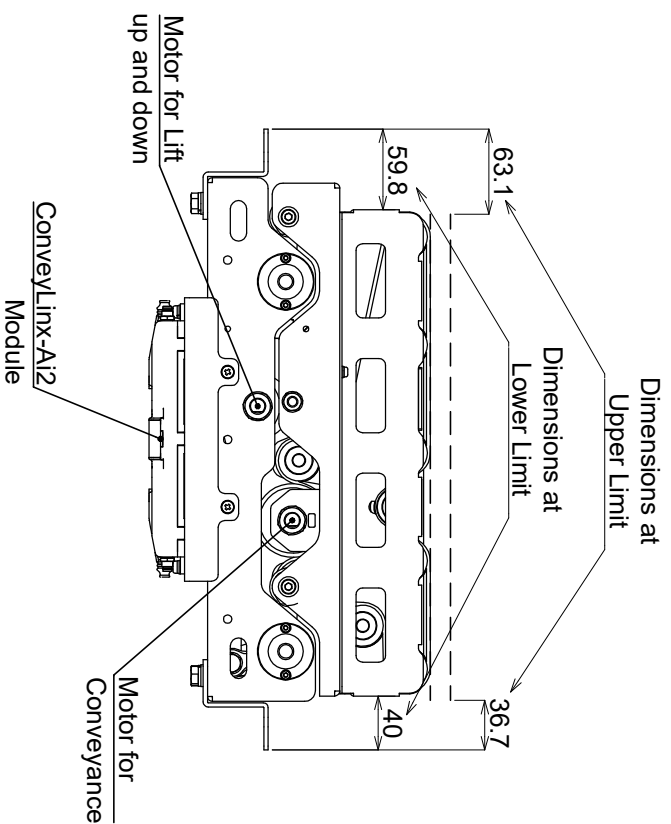
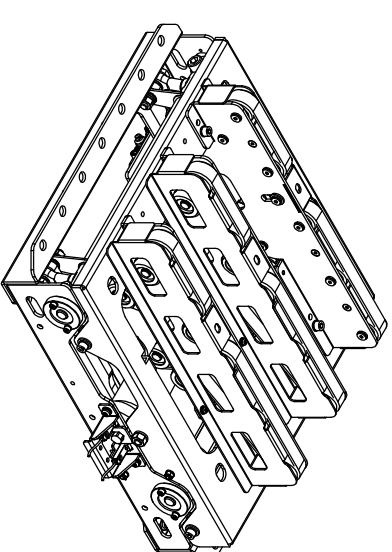
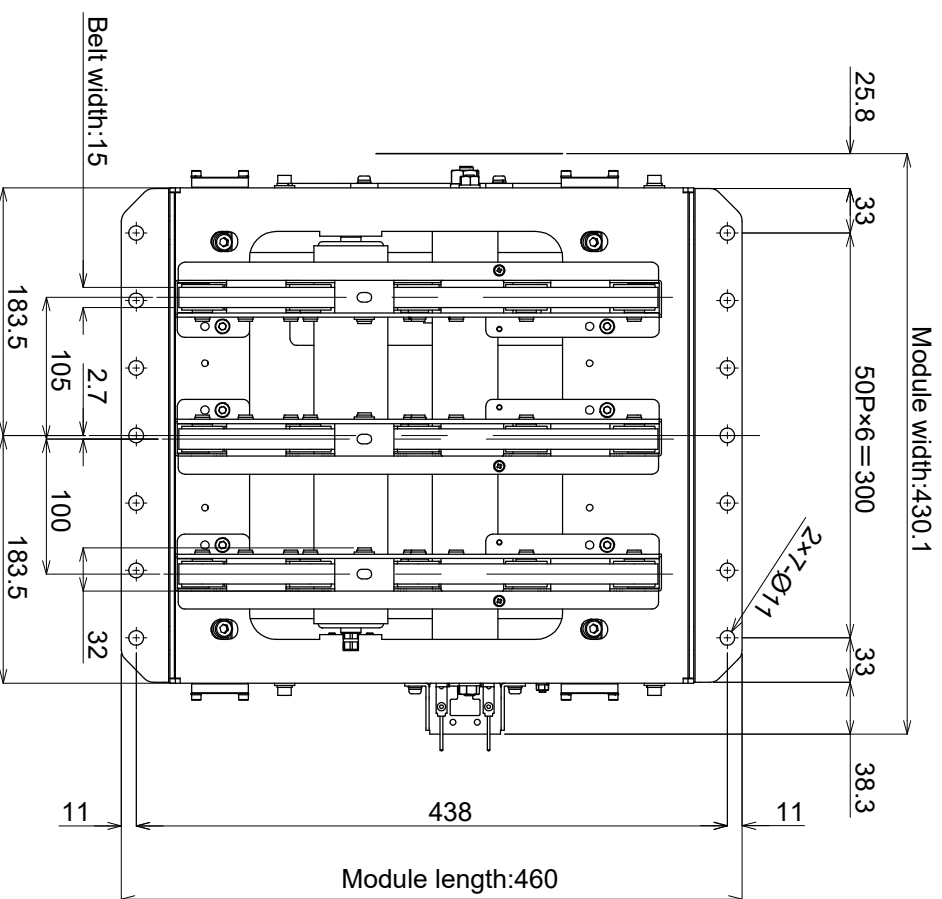
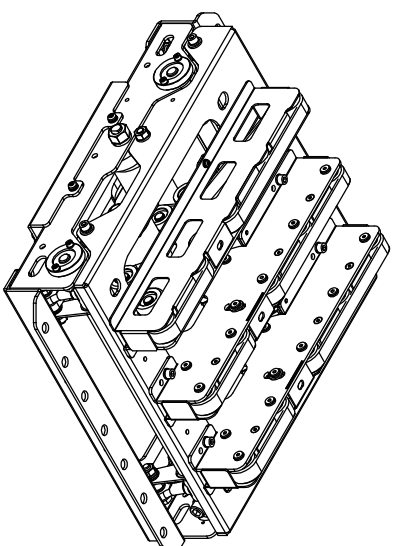


Reference Drawing (BF=400[mm])



REV.	DATE	DESCRIPTION
A	29-MAY-2020	UPDATED TITLEBLOCK INFO

THE INFORMATION CONTAINED HEREIN IS CONFIDENTIAL, IS SUBMITTED IN CONFIDENCE, AND IS PROPRIETARY INFORMATION OF PULSEROLLER AND SHALL BE USED ONLY IN CONNECTION WITH AND PERFORMANCE OF THE CONTRACT OF WHICH THIS DRAWING FORMS A PART, AND SHALL NOT, WITHOUT PULSEROLLER PRIOR WRITTEN APPROVAL, BE REPRODUCED OR IN ANY OTHER WAY USED IN WHOLE OR IN PART BY OTHERS.

DATE: 8-JUN-2016
 DESIGNED BY: TAKAISHI
 CHECKED BY: MIYAZAKI
 SCALE: NONE
 SHEET: 1 OF 1

TITLE: PDU-90 TRANSFER - 400 MM BF CONV
 PART NUMBER PDU90-W36L40-3-SS
 FOR: PULSEROLLER ASSEMBLIES
 PULSEROLLER STANDARDS
 DWG. NO: PDU90-W36L40-3-SS
 REV: A