

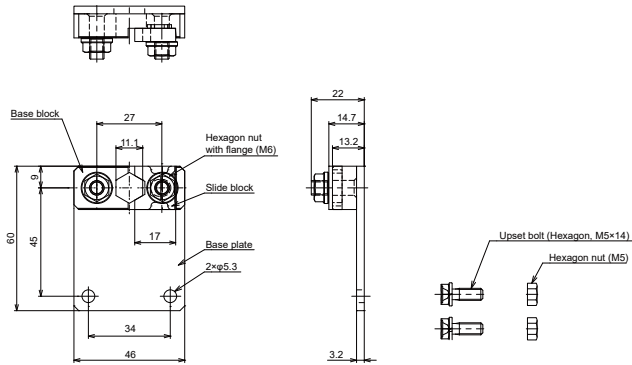
SENERGY



Bracket

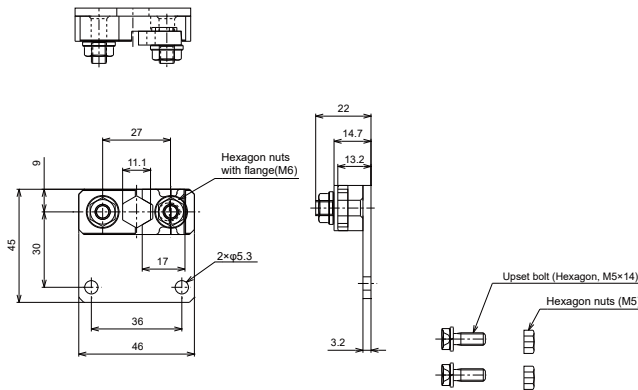
Standard accessory
(Cable side)

PR-D-30H-PU-N
(Point-up)



* Note
Tightening torque (M6) : 8 - 10 N·m
Tightening torque (M5) : 2.3 - 3.5 N·m

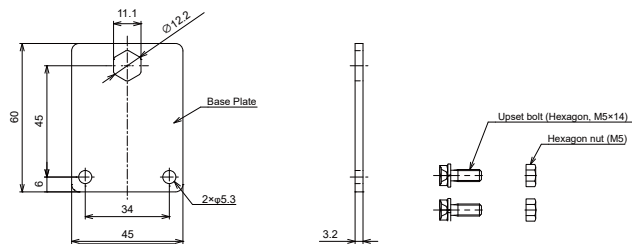
PR-D-30H-PU-N-ST
(Point-up)



* Note
Tightening torque (M6) : 8 - 10 N·m
Tightening torque (M5) : 2.3 - 3.5 N·m

Optional accessory
(Non-Cable side)

MR-DC-30P
(Point-up)



* Note
Tightening torque (M5) : 2.3 - 3.5 N·m

* Flat-up option is available too. For more details, please contact us.